

# Diaphragm horns

Types 172, 173

492120008D



- *Extremely reliable, thoroughly tested mechanical construction*
- *Protection: IP54*
- *Sound pressure: 100dB*
- *For AC voltages: 220V*
- *For DC voltages: 24...220V*
- *For engine rooms, factories etc.*

## Description

The diaphragm horns types 172 and 173 are typically applied in engine rooms, factories, etc. where a robust, waterproof audial indicator giving a loud and clear signal is needed.

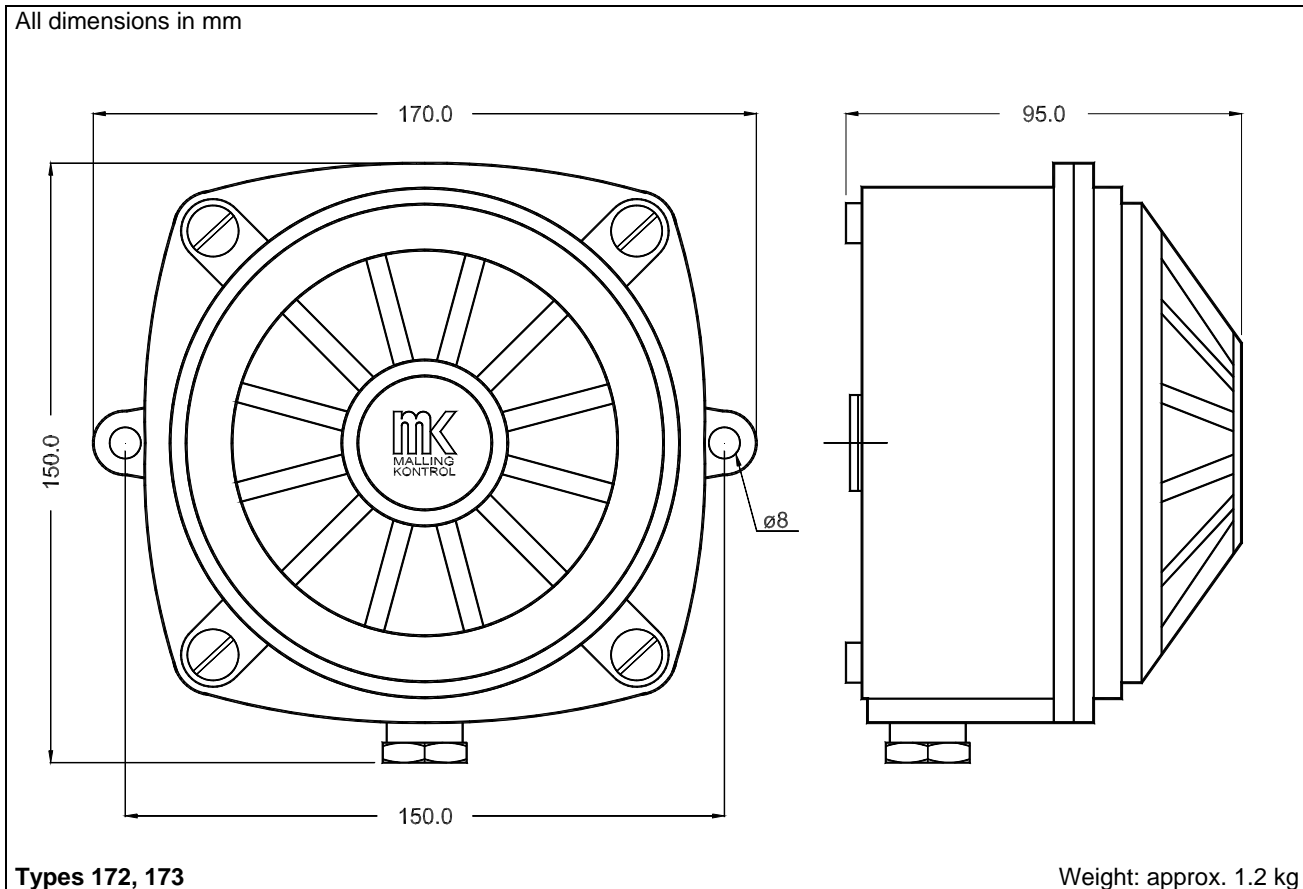
## Technical specifications

Type	Voltage		Coil resistance (Ohms)	Consumption (Amps)	Frequency (Hz)	Sound pressure (1m dB)	EAN No.
	=/DC	/AC					
172.24	24		2 x 7	0.8	300	100	5703727000326
172.220	220		2 x 200	0.3	300	100	5703727000340
173.220		220/230	2 x 170	0.3	100	100	5703727000449

Protection: IP54, to EN 60529 and IEC 529.

EMC: To EN 50081-1/2 and EN 50082-1/2. CE marked for residential, commercial and light industry plus industrial environment.

## Dimensions



## Order specifications

	Type	Voltage	(EAN No.)
Example:	172.24	24V DC	5703727000326

Due to our continuous development we reserve the right to supply equipment which may vary from the described.



DEIF A/S, Frisenborgvej 33  
DK-7800 Skive, Denmark

Tel.: +45 9614 9614, Fax: +45 9614 9615  
E-mail: deif@deif.com, URL: www.deif.com

