

Bells

Type 117, 118R, 124

4921200005D



117



118R



124

- *Types 118R and 124 waterproof*
- *For voltages: 12...24...220V AC/DC*
- *Sound pressures: 90dB...93dB...96dB...100dB*

Description

Type 117

White bakelite bell with dome of bright nickel plated steel, ø100 mm.

Type 118R

Waterproof, grey bakelite bell with dome of grey enamelled steel, ø100 mm.

Type 124

Waterproof, black bell made out of corrosion protected light metal alloy with brass dome, ø200 mm.

Technical specifications

	Type	Voltage		Coil resistance	Consumption	Sound pressure	EAN. No.
		=/DC	-/AC	(Ohms)	(Amps)	1m dB)	
Bell	117.24	24		1 x 200	0.1	90	5703727000043
Bell (Waterproof)	118R12	12	24	2 x 20	0.2	93	5703727000135
	118R24	24		2 x 80	0.08	96	5703727000142
	118R220		220	1 x 2000	0.03	96	5703727000166
Bell (Waterproof)	124.12	12		2 x 9	0.4	100	5703727000210
	124.24	24		2 x 37	0.3	100	5703727000227
	124.220	220	220	2 x 1200	0.05	100	5703727000258

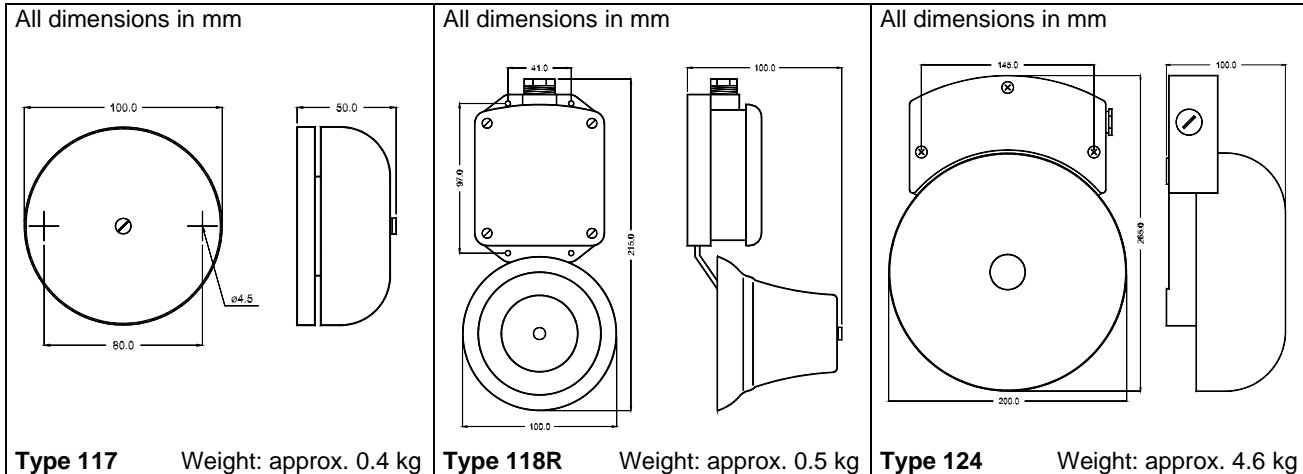
Temperature: -10...55°C (nominal), -25...60°C (operation), -40...70°C (storage).

Protection: Type 117: IP20, to EN 60529 and IEC 529.

Types 118R, 124: IP54, to EN 60529 and IEC 529.

EMC: To EN 50081-1/2 and EN 50082-1/2. CE marked for residential, commercial and light industry plus industrial environment.

Dimensions



Order specifications

	Type	Voltage	(EAN No.)
Example:	118R220	220V AC	5703727000166

Due to our continuous development we reserve the right to supply equipment which may vary from the described.



DEIF A/S, Frisenborgvej 33
DK-7800 Skive, Denmark

Tel.: +45 9614 9614, Fax: +45 9614 9615
E-mail: deif@deif.com, URL: www.deif.com

